

OFFICE USE
SN:
INV:

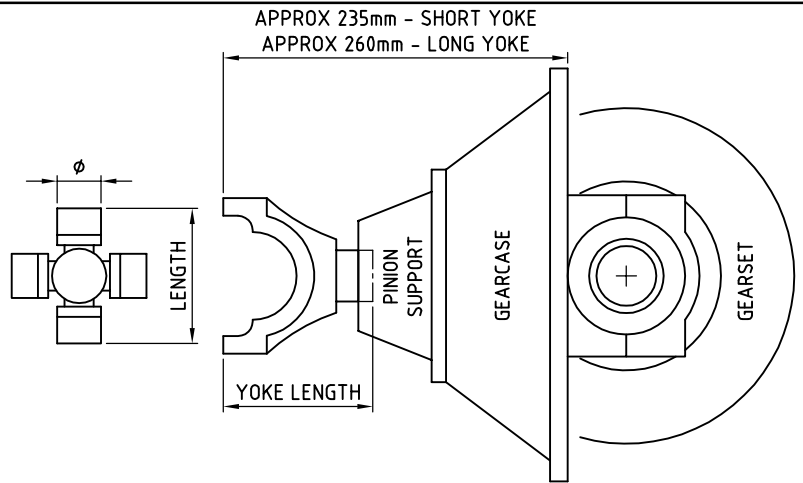
NEW PARTS ONLY USED

BILLING ADDRESS	SHIPPING ADDRESS
-----------------	------------------

NAME:	NAME:
ADDRESS:	ADDRESS:
SUBURB:	SUBURB:
STATE:	STATE:
POSTCODE:	POSTCODE:
PHONE:	PHONE:
FAX:	
E-MAIL:	

ORDERING INFORMATION

UNIVERSAL JOINT DIMENSIONS		
TYPE	DIMENSION "	DIMENSION mm
1310	1.062" x 3.225"	Ø26.97mm x 81.91mm
1330	1.062" x 3.625"	Ø26.97mm x 92.07mm
3R	1.125" x 3.625"	Ø28.57mm x 92.07mm
1350	1.185" x 3.625"	Ø30.01mm x 92.07mm



- GEARCASE TYPE : NODULAR IRON SPORTSMAN / NODULAR IRON RACE / ALUM / THRU BOLT ALUM
- PINION SUPPORT TYPE : STANDARD / BIG BEARING
- PINION SUPPORT MATERIAL : NODULAR IRON / ALUM
- YOKE SIZE : 1310 / 1330 / 3R / 1350
- YOKE MATERIAL : NODULAR IRON / MOLLY /ALUM
- YOKE LENGTH : SHORT 102mm / LONG 127mm
- GEARSET RATIO : 2.75 / 3.00 / 3.25 / 3.50 / 3.70 / 3.89 / 4.11 / 4.33 /4.56 /4.88
- GEARSET PINION SIZE : SMALL 28 SPLINE / LARGE 35 SPLINE (Drag racing only)
- GEARSET TYPE : MOTIVE HP / MOTIVE PROGEARS (Drag racing only)
- CARRIER TYPE : LSD / TRUETRAC / DETROIT LOCKER / WAVETRAC / FULL SPOOL
- SPLINE : 28 / 31 / 33 / 35 / 40

ADDITIONAL INFORMATION:

CONTACT DETAILS

ALTRA 9
 UNIT 2-143 GRANITE STREET
 GEEBUNG
 QLD, 4034

- WHEN PLACING AN ORDER YOU AGREE TO OUR TERMS AND CONDITIONS
- TERMS AND CONDITIONS ARE AVAILABLE ON WEBSITE
- FULL PAYMENT IS REQUIRED BEFORE ORDER WILL BE PROCESSED

PHONE: (07) 3265 5200
 FAX: (07) 3265 5155

PAYMENT METHODS

EFTPOS, CREDIT CARD(1.5% SURCHARGE), CASH,
 DIRECT DEPOSIT : ANZ, ALTRA 9 PTY LTD, BSB: 014 275 , ACCOUNT: 283 947 658

WEB: www.altra9.com.au
 EMAIL: info@altra9.com.au